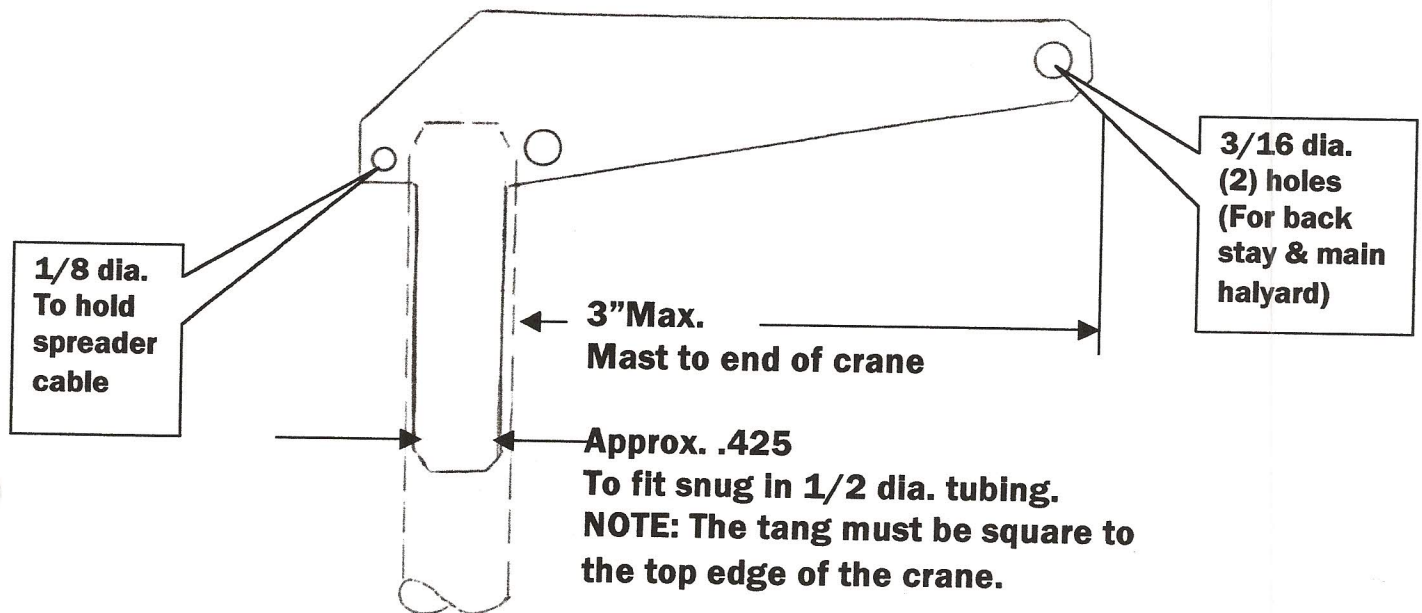


STAR CONSTRUCTION — MAST HEAD CRANE



MATL.: .062 Alum.

TIP: The design of the star allows the leech of the main sail to slightly overlap the back stay. To minimize this, the 3/16 hole for the back stay should be as close to the end of the crane as possible.

NOTE: The sketch shown above is approx. actual size.